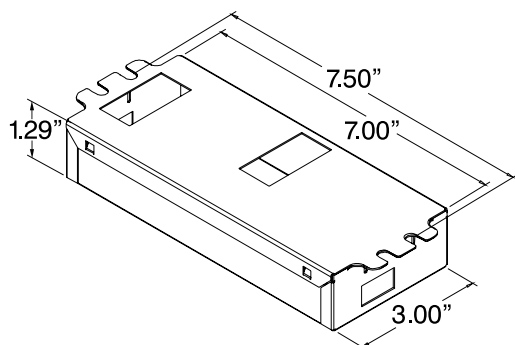


Specifications

Model Number: 10-0138
Input Voltage: 120 to 277v AC
Frequency: 50/60 Hz.
Lamp Type: See Chart on Next Page
Size: 7.75" x 3 x 1.29"
Weight: 16 oz.
Mounting: Slotted Mounting Tabs.



Dimensional Data

<p>10-0138 120V - 277V 50/60 HZ</p>	<p>ATLANTIC ULTRAVIOLET CORPORATION®</p> <p>375 Marcus Boulevard • Hauppauge, NY 11788 631.273.0500 • Fax: 631.273.0771 info@ultraviolet.com • www.ultraviolet.com</p>	<p>High Power Factor Class P, Sound Rated A Type 1 Outdoor Inherent Thermal Protection No PCB's</p>	<p>Surelite™ ELECTRONIC BALLAST</p>
	<p>MAXIMUM CASE TEMPERATURE 90° C Max. Current 1.30A @ 120V or 0.56A @ 277V</p>		<p>Linear: (1 or 2) G36T5HO 4P(75W) or G64T5HO 4P(143W) Twin tube: (1 or 2) HO35W or HO 60W or (1) HO 95W</p>
<p>LINE: BLACK, WHITE, GREEN</p>		<p>BALLAST: BLUE, YELLOW, RED</p>	
<p>2 Lamps 1 Lamp</p>		<p>60W or 75W only</p>	
<p>BALLAST CASE OR GREEN TERMINAL MUST BE GROUNDED For use in permanently connected (fixed) equipment only</p>			
<p>WARNING: Install in accordance with National and Local Electrical Code Use 18 AWG Solid Copper Wire Strip Wire to 3/8" Only use 4-pin connection Lamp End-Life Detection Programmed Start Ballast</p>			

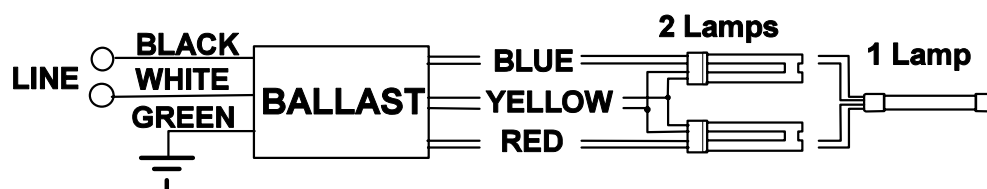
The information and recommendations contained in this publication are based upon data collected by the Atlantic Ultraviolet Corporation® and are believed to be correct. However, no guarantee or warranty of any kind, expressed or implied, is made with respect to the information contained herein. Specifications and information are subject to change without notice.

Lamp Types

Lamp Types	Qty.
GPH436T5/HO	1 or 2
G55T8	1 or 2
TUV55/HO	1 or 2
GHO36T5/4P	1 or 2
GPH843T5/HO	1 or 2
GHO64T5/4P	1
GPH1554T5/HO	1
PL-L35W/HO	1 or 2
PL-L60W/HO	1 or 2
PL-L95W/HO	1

This ballast may be acceptable for use with lamps not listed here. Contact us to discuss your requirement.

Connections



BALLAST CASE OR GREEN TERMINAL MUST BE GROUNDED
For use in permanently connected (fixed) equipment only

Figure 1 - Wiring Diagram