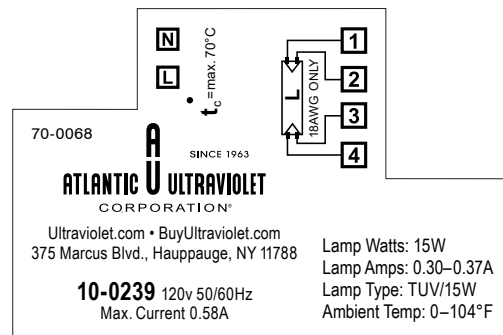
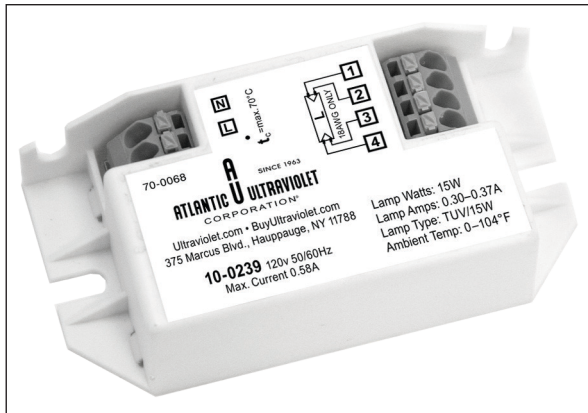


**Specifications**

<b>Model Number:</b>	<b>10-0239</b>
<b>Input Voltage:</b>	99–132v AC
<b>Frequency:</b>	60 Hz.
<b>Lamp Type:</b>	See Chart On Next Page
<b>Size:</b>	3.15" x 1.57" x .87" (80 x 40 x 22 mm)
<b>Weight:</b>	2.47 oz. (0.07 kg)
<b>Mounting:</b>	Slotted Mounting Tabs



The information and recommendations contained in this publication are based upon data collected by the Atlantic Ultraviolet Corporation® and are believed to be correct. However, no guarantee or warranty of any kind, expressed or implied, is made with respect to the information contained herein. Specifications and information are subject to change without notice.

## Lamp Types

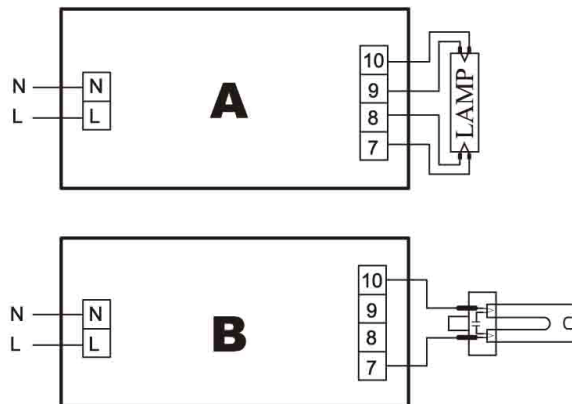
---

Lamp Types	Wiring Diagram
TUV15WT8	A
G15T8	A
PL-L18	B

This ballast may be acceptable for use with lamps not listed here.  
Contact us to discuss your requirement.

## Connections

---



The information and recommendations contained in this publication are based upon data collected by the Atlantic Ultraviolet Corporation® and are believed to be correct. However, no guarantee or warranty of any kind, expressed or implied, is made with respect to the information contained herein. Specifications and information are subject to change without notice.