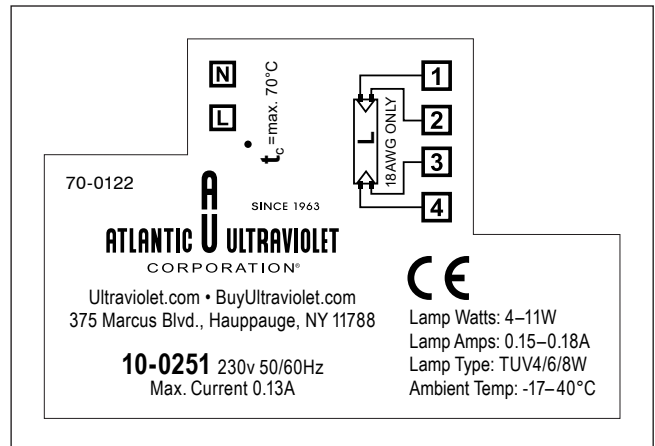
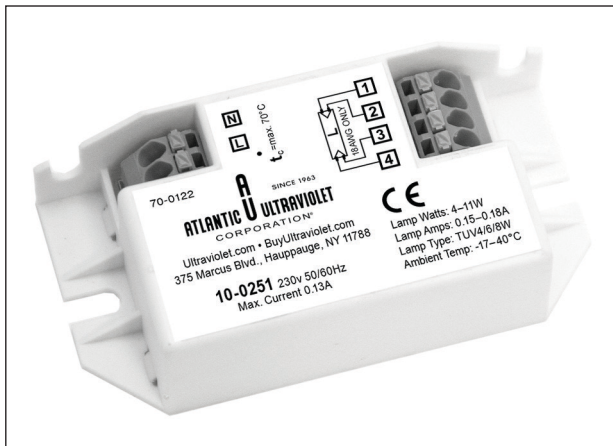


Specifications

Model Number:	10-0251
Input Voltage:	230v Nominal (198–264v AC)
Frequency:	50/60 Hz.
Lamp Type:	See Chart On Next Page
Size:	3.15" x 1.57" x .87" (80 x 40 x 22 mm)
Weight:	2.47 oz. (0.07 kg)
Mounting:	Slotted Mounting Tabs



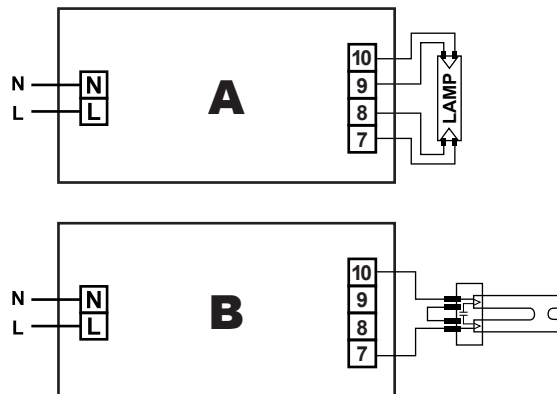
The information and recommendations contained in this publication are based upon data collected by the Atlantic Ultraviolet Corporation® and are believed to be correct. However, no guarantee or warranty of any kind, expressed or implied, is made with respect to the information contained herein. Specifications and information are subject to change without notice.

Lamp Types

Lamp Types	Wiring Diagram
TUV4W	A
TUV6W	A
TUV8W	A
G4T5	A
G6T5	A
G8T5	A
PL-S 9W	B

This ballast may be acceptable for use with lamps not listed here.
 Contact us to discuss your requirement.

Wiring Diagram



The information and recommendations contained in this publication are based upon data collected by the Atlantic Ultraviolet Corporation® and are believed to be correct. However, no guarantee or warranty of any kind, expressed or implied, is made with respect to the information contained herein. Specifications and information are subject to change without notice.