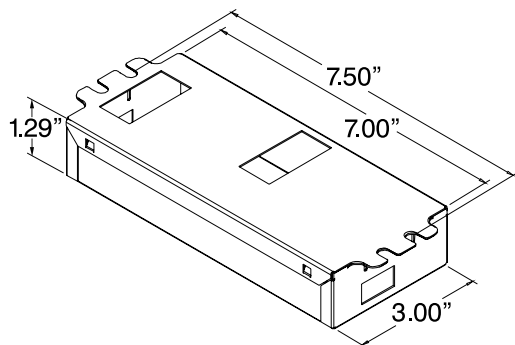


**Specifications**

**Model Number:** 10-0253  
**Input Voltage:** 120 to 277v AC  
**Frequency:** 50/60 Hz.  
**Lamp Type:** See Chart on Next Page  
**Size:** 7.75" x 3"x 1.29"  
**Weight:** 16 oz.  
**Mounting:** Slotted Mounting Tabs.



**Dimensional Data**

INTELLIVOLT 120V TO 277V 50/60Hz		
LAMP TYPE	LINE CURRENT	MIN START TEMP
(2) PL-L60W HO/UUV	1.30A   0.58A	0° F/18° C

Also compatible with:  
 (2) PL-35W HO/UUV,  
 (1) PL-135W HO/UUV,  
 (1) PL-L60W HO/UUV,  
 (1) PL-L60W HO/UUV,  
 (2) TUV-36TSHO 4P-SE(75)W,  
 (1) TUV-36TSHO 4P-SE(75)W,  
 (1) TUV-64TSHO 4P-SE(145)W

**WARNING:** Install in accordance with National and Local Electrical Codes.  
 Use 18AWG Solid Copper Wire rated >=600V.  
 Strip wire to 3/8"

**RoHS COMPLIANT**

4435 2509 2884 1 REV C  
 7 43 108 7 404211 13

Lamp EOL Protection  
 Ballast a Semi-Conducteur  
 High Power Factor  
 Class P Sound Rated A  
 Type 1 Outdoor  
 Inherent Thermal Protection  
 Protection Thermiques Integree  
 No PCB's

**PHILIPS ADVANCE**  
 Technical Information 1.800.372.3331  
 Rosemont, IL  
**PureVOLT™**  
 IUV-2S60-M4-LD  
 Programmed Start - Sequential Lamp Electronic Ballast  
 ASSEMBLED IN MEXICO

**UL LISTED 7046**

**WIRING: 2-LAMP (60W ONLY) 1-LAMP**

LINE: BLACK, WHITE, GREEN  
 BALLAST: BLUE, YELLOW, RED  
 LAMP: BLUE, RED

**GROUNDING:** Green terminal or ballast case must be grounded.  
 ONLY USE RAMP MARKED SOCKET

For use in permanently connected (fixed) equipment only

The information and recommendations contained in this publication are based upon data collected by the Atlantic Ultraviolet Corporation® and are believed to be correct. However, no guarantee or warranty of any kind, expressed or implied, is made with respect to the information contained herein. Specifications and information are subject to change without notice.

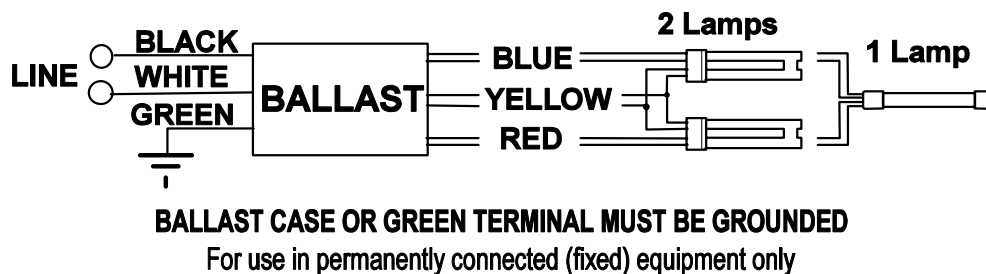
**Lamp Types**

Lamp Types	Qty.
GPH436T5/HO	1 or 2
G55T8	1 or 2
TUV55/HO	1 or 2
GHO36T5/HO	1 or 2
GPH843T5/HO	1 or 2
GHO64T5/4P	1
GPH1554T5/HO	1
PL-L35W/HO	1 or 2
PL-L60W/HO	1 or 2
PL-L95W/HO	1

This ballast may be acceptable for use with lamps not listed here. Contact us to discuss your requirement.

**Connections**

Figure 1 - Wiring Diagram



The information and recommendations contained in this publication are based upon data collected by the Atlantic Ultraviolet Corporation® and are believed to be correct. However, no guarantee or warranty of any kind, expressed or implied, is made with respect to the information contained herein. Specifications and information are subject to change without notice.