

Specifications

Model Number: 10-0252
Input Voltage: 115v AC
Frequency: 45–65 Hz.
Lamp Type: See Chart on Next Page
Size: 9.76" x 4.13" x 2.32"
Weight: 1 lb. 2 oz.
Mounting: Slotted Mounting Tabs



Surelite™
ELECTRONIC BALLAST
10-0252

ATLANTIC ULTRAVIOLET CORPORATION
375 Marcus Blvd, Hauppauge, NY 11788
Sales@AtlanticUV.com • 631.273.0500
Ultraviolet.com • BuyUltraviolet.com

lamp terminals: 10 9 8 7
relay terminals: 6 5 4
status LED: on (green), off / fault (red)
T_c max. 50 °C

input power: max. 265 W	lamp power: 240 W
input current: max. 2.6 A	lamp current: 2.1 A
mains voltage: 115 V AC	preheat current: 2.2 A
mains frequency: 45...65 Hz	preheat time: 12 s
ambient temperature: 0...40°C	U-OUT= 250V

forced cooling required

L N ⊕
○ ○ ○
1 2 3
mains terminals

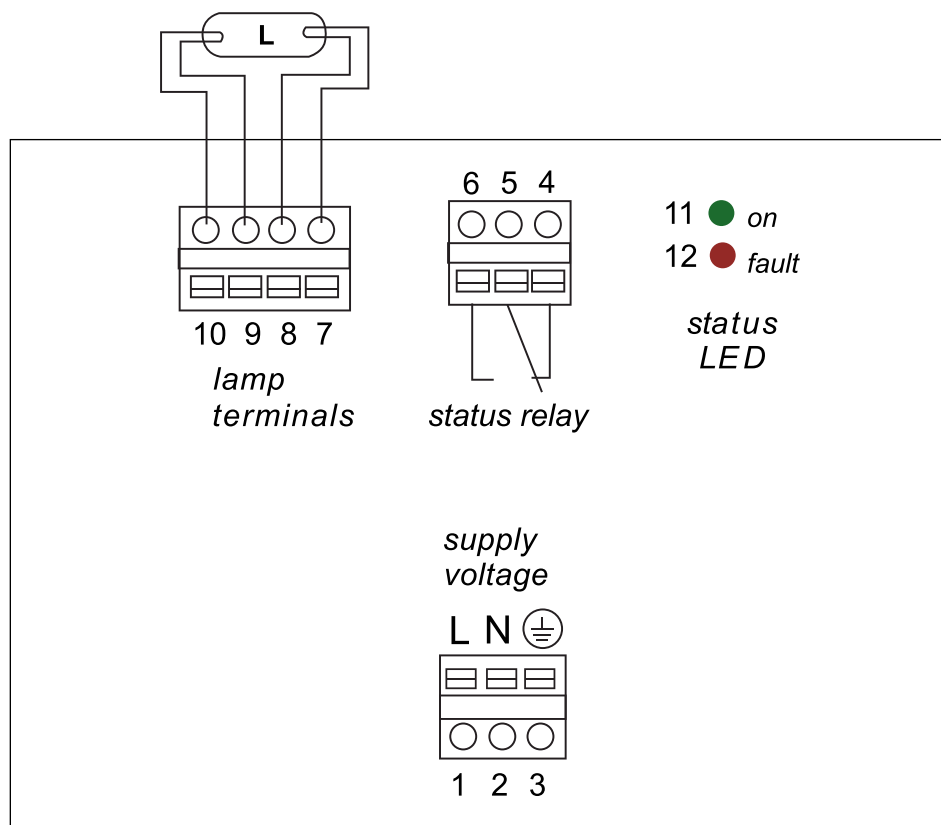
CE
see manual for details

The information and recommendations contained in this publication are based upon data collected by the Atlantic Ultraviolet Corporation® and are believed to be correct. However, no guarantee or warranty of any kind, expressed or implied, is made with respect to the information contained herein. Specifications and information are subject to change without notice.

Lamp Types

Lamp Types	Qty.
GPHHA1148T6	1
GPHHA1200T6	1

Wiring Diagram



supply voltage

- 1) mains (L)
- 2) mains (N)
- 3) protective earth (PE)

status relay

- 4) (NC) LAMP OFF / FAULT
- 5) COMMON
- 6) (NO) LAMP ON

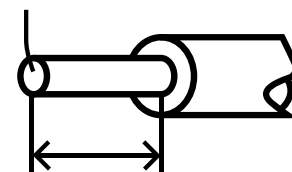
lamp terminals

terminals 7. – 10.

status LED

- 11) green: lamp operation
- 12) red: lamp fault

0.75–1.5mm²



10mm