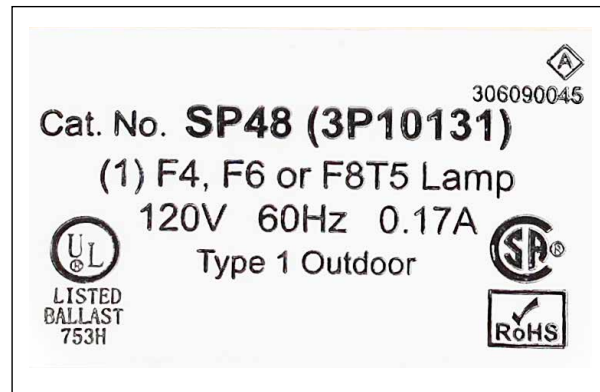


Specifications

Model Number:	10-1055
Ballast Type:	Electromagnetic
Input Voltage:	120v AC +5%, -10%
Input Frequency:	60 Hz.
Lamp Connection:	Series
Lamp Types:	See Chart on Next Page
Starting Method:	Preheat
Unit Color:	Raw
Unit Weight:	0.55 lb



The information and recommendations contained in this publication are based upon data collected by the Atlantic Ultraviolet Corporation® and are believed to be correct. However, no guarantee or warranty of any kind, expressed or implied, is made with respect to the information contained herein. Specifications and information are subject to change without notice.

10-1055 - Robertson™ Magnetic Ballast

Lamp Types

Line Voltage (V)	Lamp Types	Lamp Watts	# of Lamps	Line Current (A)	Input Power (W)	Power Factor	Max Current THD (%)	Current Crest Factor	Ballast Factor
120	G4T5	4	1	0.17	8	≤0.40	≤10	≤1.7	1.00
120	G6T5	6	1	0.16	9	≤0.45	≤10	≤1.7	1.00
120	G8T5	8	1	0.15	9	≤0.50	≤10	≤1.7	1.00

This ballast may be acceptable for use with lamps not listed here. Contact us to discuss your requirement.

Performance:

- Electromagnetic Reactor Type Ballast
- Preheat Start
- Series Operation
- Normal Power Factor
- Encased and Potted
- Sound Rated C
- Meets ANSI C82.1

Application:

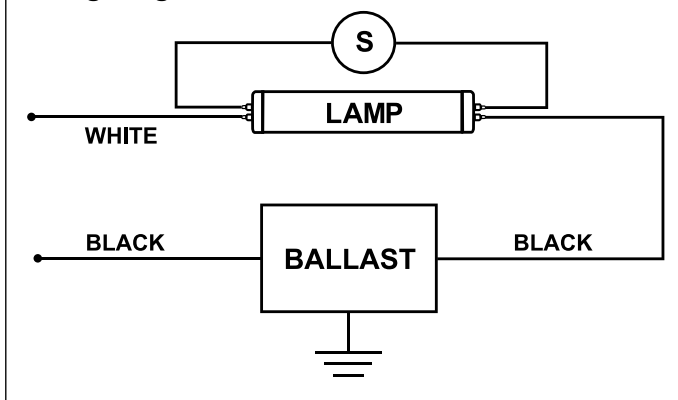
- Maximum Case Temperature: 194°F/90°C
- Maximum Ambient Temperature: 104°F/40°C
- Minimum Starting Temperature Linear: 50°F/10°C
- Remote Mounting: 10ft.

Safety:

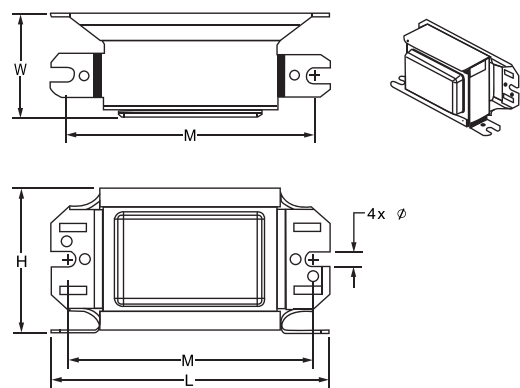
- UL/935 (Type 1 Outdoor) Listed
- CSA/C22.2 Certified
- No PCB's
- RoHS Compliant

Connections

Wiring Diagram



Dimensions



Standard Lead Lengths:

- Black: 7"x7" 3/8" Strip

H	W	L	M	Ø
1-23/32"	1-1/4"	3-1/16"	2-3/4"	3/16"
1.72"	1.25"	3.06"	2.75"	0.19"
4.34 cm	3.18 cm	7.77 cm	6.99 cm	0.47 cm

The information and recommendations contained in this publication are based upon data collected by the Atlantic Ultraviolet Corporation® and are believed to be correct. However, no guarantee or warranty of any kind, expressed or implied, is made with respect to the information contained herein. Specifications and information are subject to change without notice.