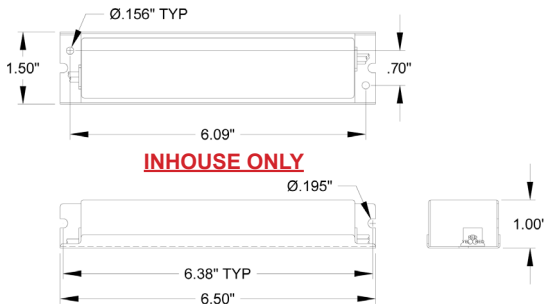


Specifications

Model Number: 10-0242
Input Voltage: 277v AC
Frequency: 50/60 Hz.
Lamp Types: See Chart On Next Page
Size: 6.5" x 1.5" x 1.0"
Weight: 10 oz.
Mounting: Slotted Mounting Tabs



Dimensional Data

1. Ground case in accordance with the National Electric Code.
2. Remote mounting distance varies with lamp type, consult factory with requirements.
3. When connecting two RED wires, they must be joined to make one wire before connecting to the lampholder.
4. For miniature bipin lamps as well as medium bipin lamps, add jumper between socket contacts, of the lampholder, before connecting the RED and YELLOW wires. (See over)



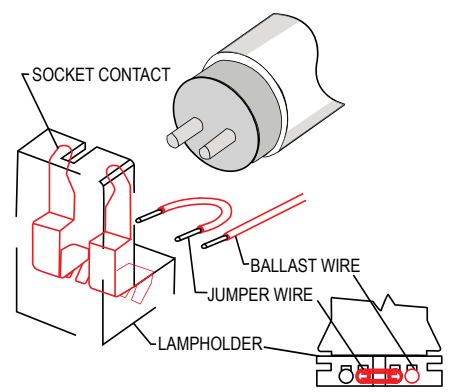
<p>INPUT: 277VAC 50/60HZ MAXIMUM CURRENT: 0.25A RFL EMI: FCC Part 18A SOUND RATING: A CLASS: P MIN. LAMP START: See Lamp Specs TYPE: 1 or 2 Outdoor MAX. VOLTAGE OUTPUT CIRCUIT OR TO GROUND: <600 VAC MIN. BALLAST START: Minus 20° F INSTANT START HIGH POWER FACTOR TYPE "CC"</p>	<p>ATLANTIC  ULTRAVIOLET CORPORATION</p> <p>375 Marcus Boulevard Hauppauge, NY 11788 631.273.0500 Fax: 631.273.0771 Email: Sales@AtlanticUV.com Ultraviolet.com • BuyUltraviolet.com</p>	<p>Surelite™ ELECTRONIC BALLAST</p> <p>10-0242 277V 50/60Hz</p>
--	--	--

The information and recommendations contained in this publication are based upon data collected by the Atlantic Ultraviolet Corporation® and are believed to be correct. However, no guarantee or warranty of any kind, expressed or implied, is made with respect to the information contained herein. Specifications and information are subject to change without notice.

Lamp Types

Lamp Types	Wiring Diagram
G12 - G48T5	2
GPH212 - GPH1148T5	1

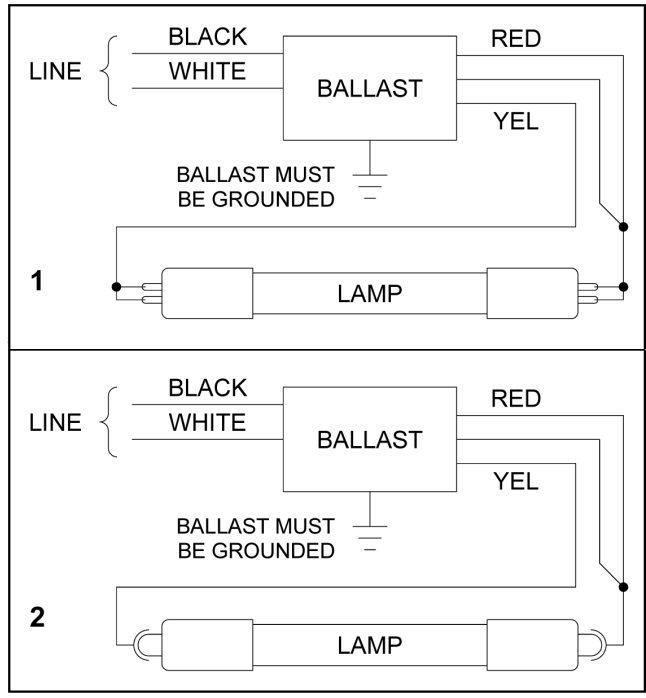
This ballast may be acceptable for use with lamps not listed here. Contact us to discuss your requirement.



Wiring Jumper Detail

For Miniature Bipin and Medium Bipin Lamps, add jumper between socket contacts, of the lampholder, before connecting the RED and YELLOW wires.

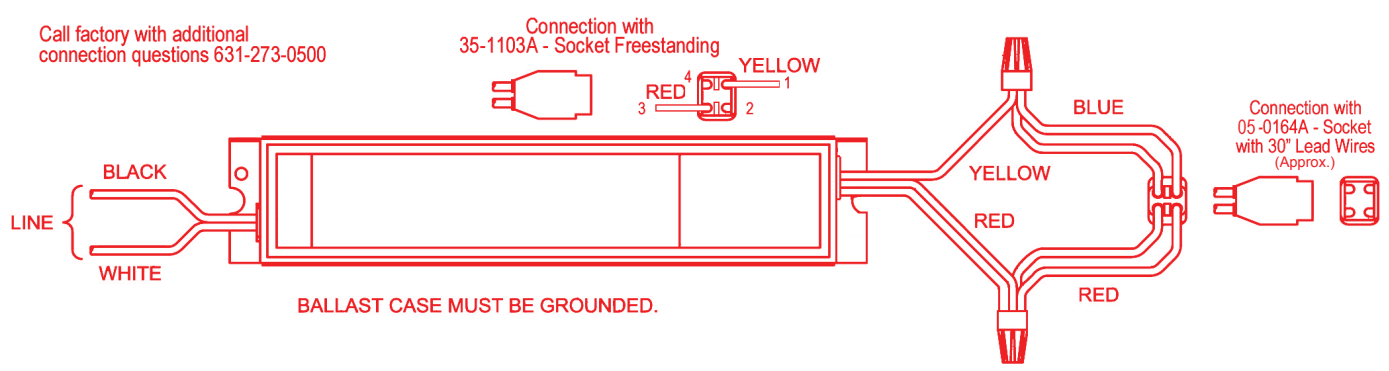
Wiring Diagrams



NOTE: For 4-Pin Single Ended Lamps, See Wiring Diagram Below.

Connections

4-Pin Wiring Diagram (Single Ended)



Typical Instant Start Ballast Connections for Preheat Lamps

The information and recommendations contained in this publication are based upon data collected by the Atlantic Ultraviolet Corporation® and are believed to be correct. However, no guarantee or warranty of any kind, expressed or implied, is made with respect to the information contained herein. Specifications and information are subject to change without notice.