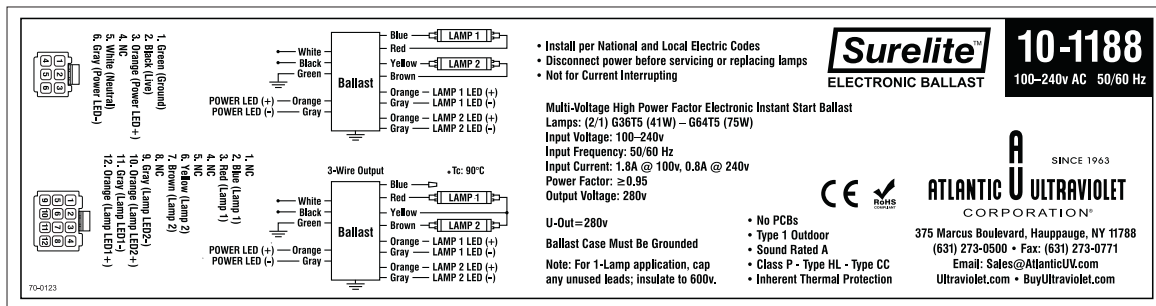
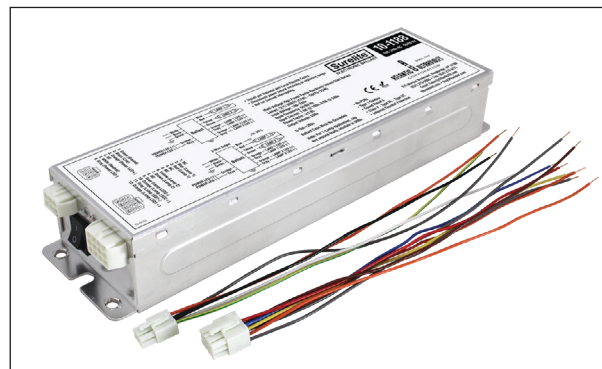


Specifications

Model Number: 10-1188
Input Voltage: 100 to 240v AC ±10%
Frequency: 50/60 Hz.
Lamp Types: See Chart on Next Page
Certifications: CSA / UL #E191525 / CE / RoHS
Size: 11-11/16" x 3-1/8" x 1-22/23"
Weight: 3.5 lbs.
Mounting: Screw Holes on Mounting Tabs
Special Features: Can Operate 1 or 2 Lamps



1. Ground case in accordance with the National Electric Code.
2. Remote mounting distance varies with lamp type, consult factory with requirements.



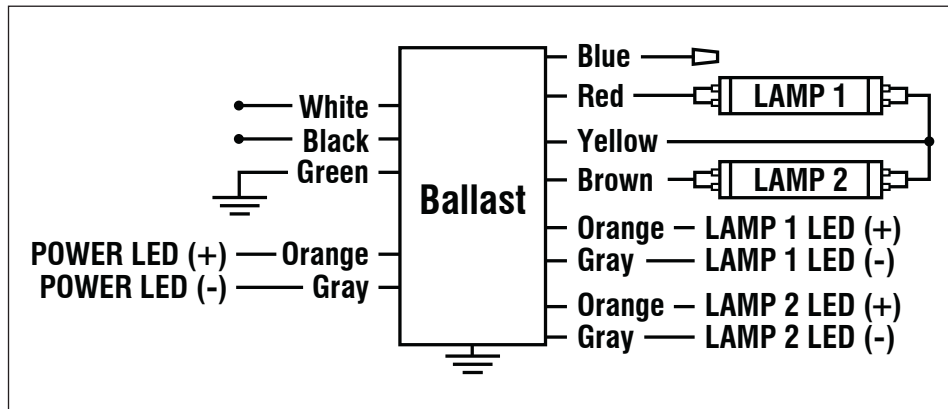
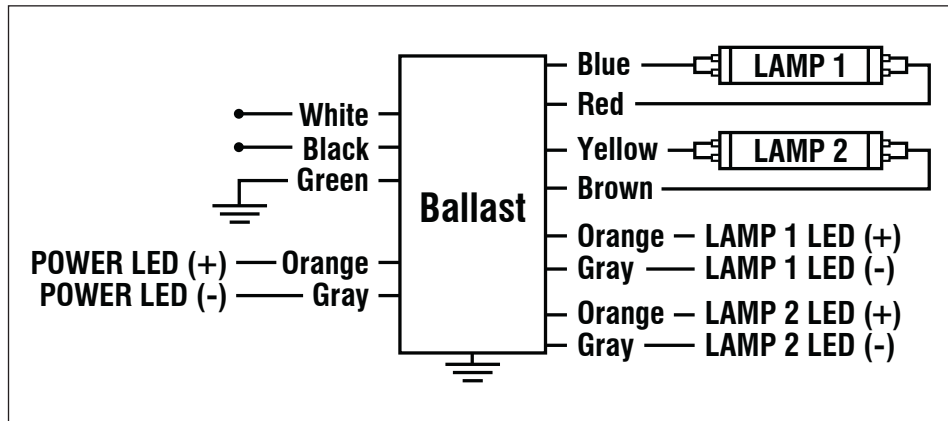
The information and recommendations contained in this publication are based upon data collected by the Atlantic Ultraviolet Corporation® and are believed to be correct. However, no guarantee or warranty of any kind, expressed or implied, is made with respect to the information contained herein. Specifications and information are subject to change without notice.

Lamp Types

GPH843T5
G36T5
G48T5
GPH15554T5
G64T5

This ballast may be acceptable for use with lamps not listed here. Contact us to discuss your requirement.

Connections



*For 3-wire output application, cap Blue lead and insulate to 600v.

Comparable wiring to discontinued ballast 10-1178.

For 1-lamp application, cap any unused leads and insulate to 600v.