

Specifications

Model Number: 10-0127
Input Voltage: 230v AC
Frequency: 50/60 Hz.
Lamp Type: See Chart On Back
Certifications: UL #E191525
Size: 9.5" x 1.72" x 1.0"
Weight: 14 oz.
Mounting: Slotted Mounting Tabs



1. Ground case in accordance with the National Electric Code.
2. Remote mounting distance varies with lamp type, consult factory with requirements.
3. Cap and insulate any unused RED wire individually.
4. When connecting two, three, or four RED wires, they must be joined to make one wire before connecting to the lampholder.
5. For miniature bipin lamps as well as medium bipin lamps, add jumper between socket contacts, of the lampholder, before connecting the RED and YELLOW wires. (See over)



10-0127 230V 50/60 HZ	NO. 10-0000 ATLANTIC ULTRAVIOLET CORPORATION 375 Menassa Boulevard • Hauppauge, NY 11788 (631) 273-0500 • Fax: (631) 273-0771 info@ultraviolet.com • www.ultraviolet.com www.buyultraviolet.com	INPUT: 230VAC 50/60HZ MAXIMUM CURRENT: 0.32 A REF. EMC: FCC Part 15A SOUND RATING: CLASS: P MIN. LAMP SPACES: See Lamp Specs TYPE: 1 or 2 Outdoor MAX. VOLTAGE OUTPUT: 600 VAC CIRCUIT OR TO GROUND: Minus 20V MIN. BALLAST START: INSTANT START HIGH POWER FACTOR TYPE 'CC'	Danger High Voltage - Ballast case must be grounded in accordance with National Electric code. Disconnect input power before installing or servicing. For wiring information, see instruction sheet. APPROVED FOR LAMP COMBINATION OF 120W MAX.: CFT14P, CFT40P, CFT140P, CFT140P, 204P, CR240P, CROCKP, CHANGP, LINEAR, T4, 15W, 15, 15W, 10, 112 AND T120 WHEN USED PER WIRING DIAGRAM SUITABLE FOR AIR HANDLING SPACES. TYPE 'NL' APPROVED	Surelite™ ELECTRONIC BALLAST UL US #E191525 FLUORESCENT LAMP BALLAST SHIP
	10-0127 230V 50/60 HZ	10-0127 230V 50/60 HZ	10-0127 230V 50/60 HZ	10-0127 230V 50/60 HZ

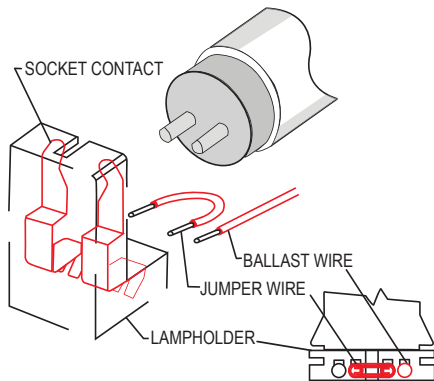
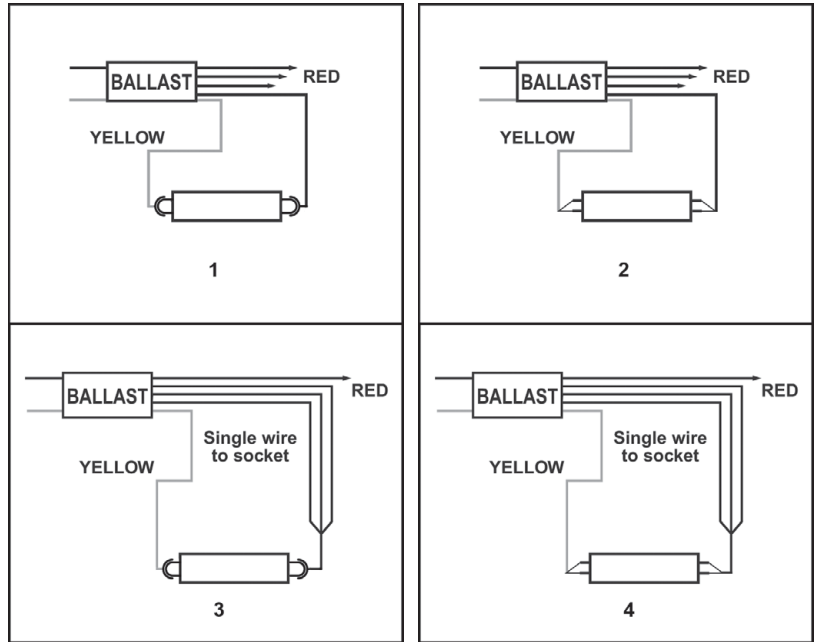
The information and recommendations contained in this publication are based upon data collected by the Atlantic Ultraviolet Corporation® and are believed to be correct. However, no guarantee or warranty of any kind, expressed or implied, is made with respect to the information contained herein. Specifications and information are subject to change without notice.

Lamp Types

Lamp Types	Wiring Diagram
MIGHTY★PURE® MP49C Lamp Part No. 05-1334-R	1
SANITRON® S50C Lamp Part No 05-1334-R	1
G12T5 - G64T5	1
GPH212T5 - GPH1554T5	2
GHO18T5 - GHO48T5	3
GPH436T5/HO - GPH1148T5/HO	4

This ballast may be acceptable for use with lamps not listed here. Contact us to discuss your requirement.

Wiring Diagrams



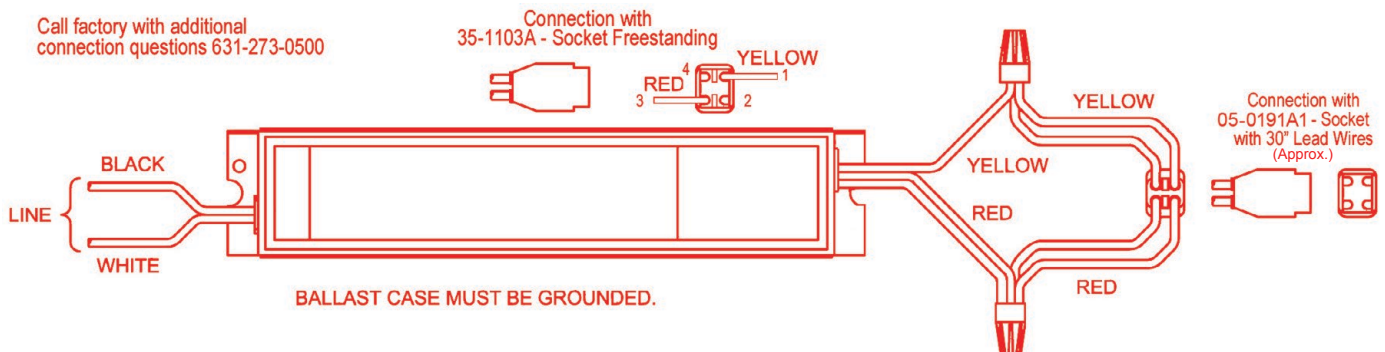
NOTE: For 4-Pin Single Ended Lamps, See Wiring Diagram Below.

Wiring Jumper Detail

For Miniature Bipin and Medium Bipin Lamps, add jumper between socket contacts, of the lampholder, before connecting the RED and YELLOW wires.

Connections

4-Pin Wiring Diagram (Single Ended)



Typical Instant Start Ballast Connections for Preheat Lamps

The information and recommendations contained in this publication are based upon data collected by the Atlantic Ultraviolet Corporation® and are believed to be correct. However, no guarantee or warranty of any kind, expressed or implied, is made with respect to the information contained herein. Specifications and information are subject to change without notice.