

Specifications

Model Number:	10-0162
Input Voltage:	120v AC
Frequency:	50/60 Hz.
Lamp Types:	See Chart on Next Page
Size:	1" x 1.25" x 5.5"
Weight:	7 oz.
Mounting:	Slotted Mounting Tabs

1. Ground case in accordance with the National Electric Code.
2. Remote mounting distance varies with lamp type, consult factory with requirements.
3. Cap and insulate any unused RED wire individually.
4. For miniature bipin lamps as well as medium bipin lamps, add jumper between socket contacts, of the lampholder, before connecting the RED and YELLOW wires. (See over)



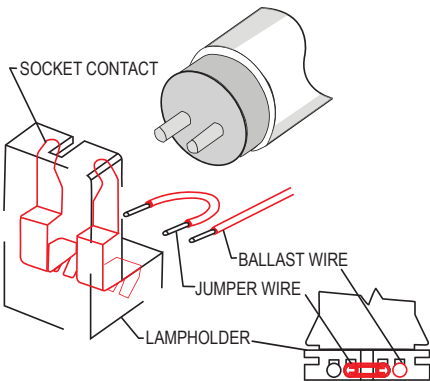
<p>10-0162 120V AC 50/60 Hz</p>	<p>SINCE 1963 ATLANTIC ULTRAVIOLET CORPORATION®</p> <p>375 Marcus Blvd., Hauppauge, NY 11788 (631) 273-0500 • Email: Sales@AtlanticUV.com Ultraviolet.com • BuyUltraviolet.com</p>	<p>Input: 120v AC 50/60 Hz Maximum Current: 0.25 A RFL, EMI: FCC Part 18A Sound Rating: A Class: P Type: 1 or 2 Outdoor Max. Voltage Output: 600v AC Ballast Starting Mode: Instant</p>	<p>Surelite™ ELECTRONIC BALLAST</p> <p>See instruction sheet for lamp and wiring information.</p>
--	---	--	---

The information and recommendations contained in this publication are based upon data collected by the Atlantic Ultraviolet Corporation® and are believed to be correct. However, no guarantee or warranty of any kind, expressed or implied, is made with respect to the information contained herein. Specifications and information are subject to change without notice.

Lamp Types

Lamp Types	Wiring Diagram
GPH212T5–GPH620T5	1
G12T5–G24T5	2
TUV17W / F17T8	3

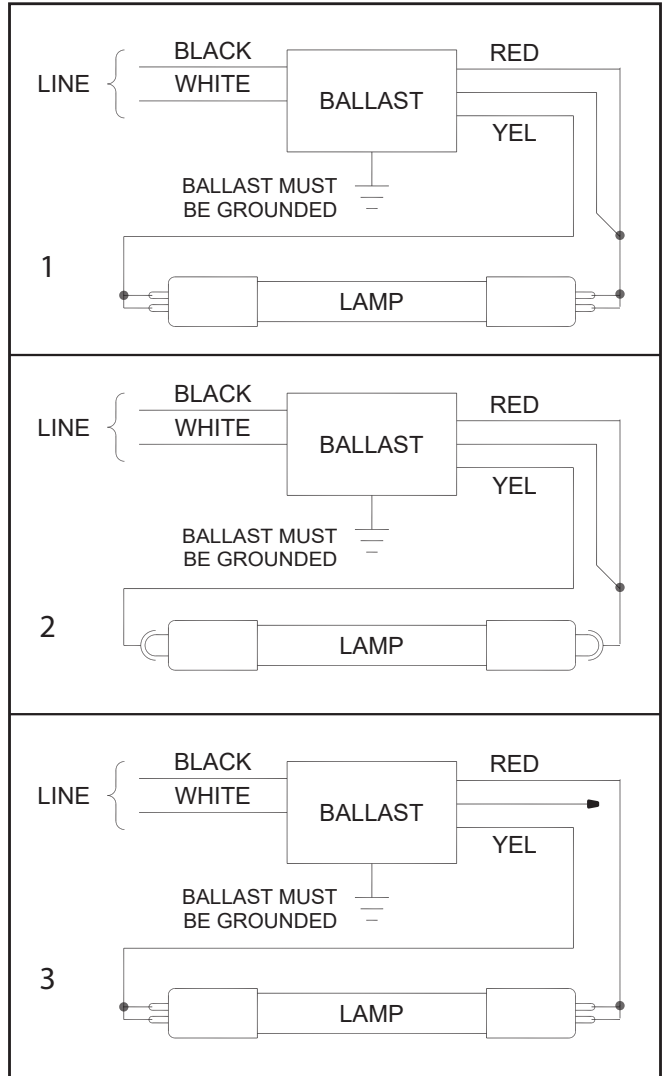
This ballast may be acceptable for use with lamps not listed here. Contact us to discuss your requirement.
 Contact Factory for 4-Pin Single Ended Wiring Options.



Wiring Jumper Detail

For Miniature Bipin and Medium Bipin Lamps, add jumper between socket contacts, of the lampholder, before connecting the RED and YELLOW wires.

NOTE: For 4-Pin Single Ended Lamps, See Wiring Diagram Below.



Wiring Diagrams

Connections

Call factory with additional connection questions 631-273-0500

Connection with 35-1103A - Socket Freestanding



Connection with 05-0191A1 - Socket with 30" Lead Wires (Approx.)



4-Pin Wiring Diagram (Single Ended)

Typical Instant Start Ballast Connections for Preheat Lamps

The information and recommendations contained in this publication are based upon data collected by the Atlantic Ultraviolet Corporation® and are believed to be correct. However, no guarantee or warranty of any kind, expressed or implied, is made with respect to the information contained herein. Specifications and information are subject to change without notice.