

## Specifications

---

|                         |                        |
|-------------------------|------------------------|
| <b>Model Number:</b>    | <b>10-1051</b>         |
| <b>Ballast:</b>         | <b>LC-14-20-C</b>      |
| <b>Ballast Type:</b>    | Magnetic               |
| <b>Input Voltage:</b>   | 120v                   |
| <b>Frequency:</b>       | 60 Hz.                 |
| <b>Lamp Types:</b>      | See Chart on Next Page |
| <b>Lamp Connection:</b> | Series                 |
| <b>Starting Method:</b> | Preheat                |



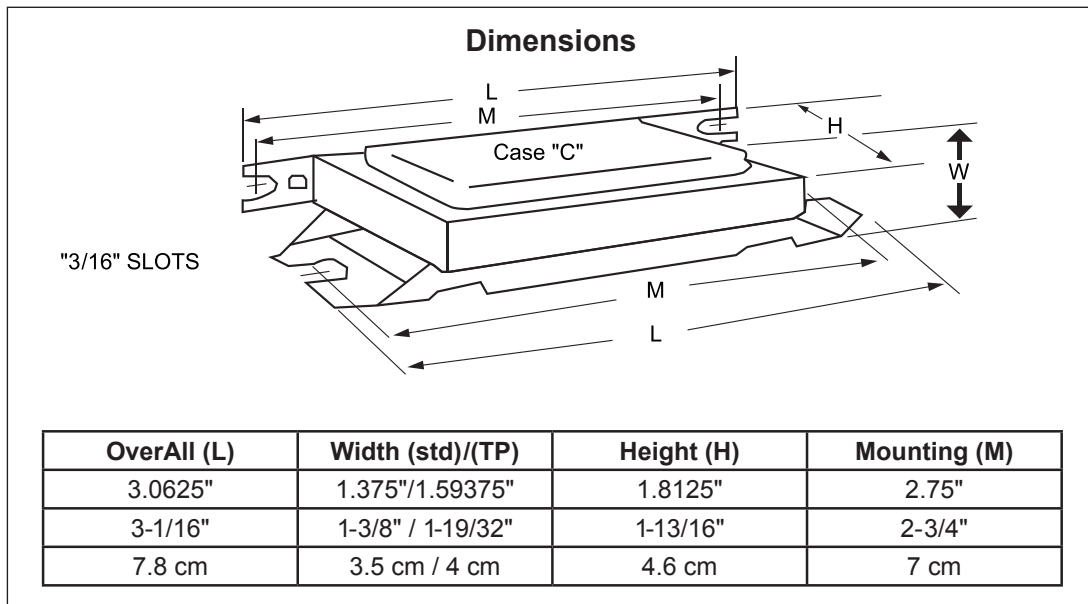
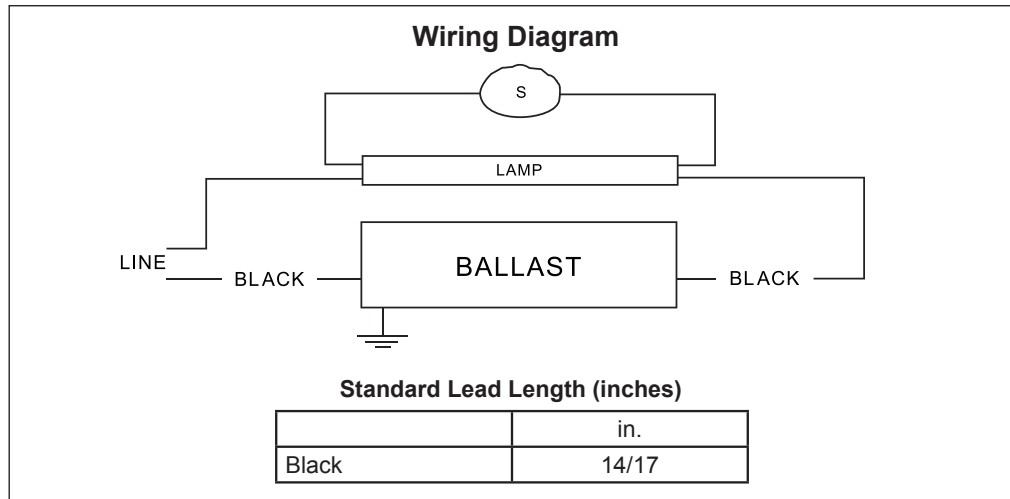
The information and recommendations contained in this publication are based upon data collected by the Atlantic Ultraviolet Corporation® and are believed to be correct. However, no guarantee or warranty of any kind, expressed or implied, is made with respect to the information contained herein. Specifications and information are subject to change without notice.

**Lamp Types**

| Lamp Types | # of Lamps | Rated Lamp Watts | Min. Start Temp (°F/C) | Input Current (Amps) | Starting Current (Amps) | Open Circuit (Amps) | Input Power (Watts) | Ballast Factor | MAX THD | Power Factor |
|------------|------------|------------------|------------------------|----------------------|-------------------------|---------------------|---------------------|----------------|---------|--------------|
| G15T8      | 1          | 15               | 50/10                  | 0.34                 | 0.37                    | 0.00                | 20                  | 1.08           | 10      | 0.49         |

This ballast may be acceptable for use with lamps not listed here. Contact us to discuss your requirement.

**Connections**



The information and recommendations contained in this publication are based upon data collected by the Atlantic Ultraviolet Corporation® and are believed to be correct. However, no guarantee or warranty of any kind, expressed or implied, is made with respect to the information contained herein. Specifications and information are subject to change without notice.